

Vertical blinds

Model V-ABS-M

Manually operated vertical blinds ABS-M 89, 127, 250mm

Vertical blinds shading systems with chain and cord mechanism

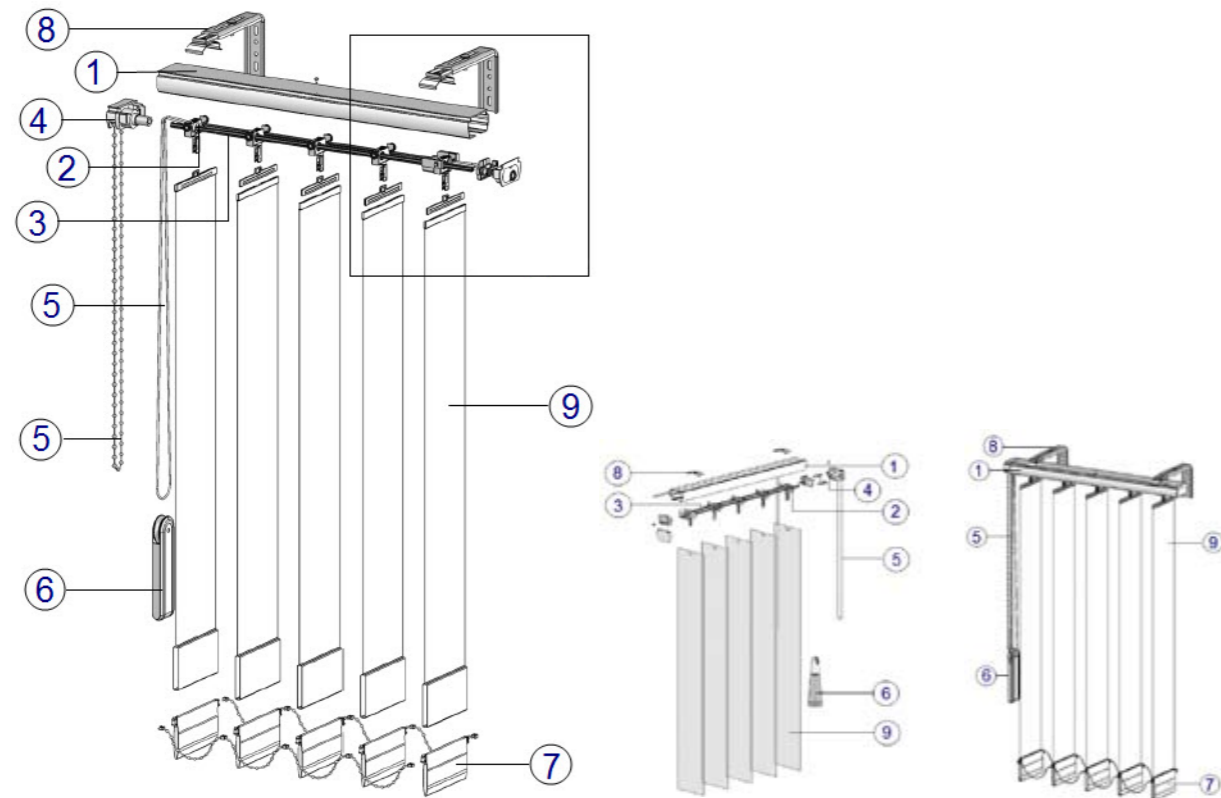
The Optima V-ABS vertical blinds system is elegant and timeless. It offers elegant lines, ideal visibility and excellent protection from the sun. A decorative solution for all spaces, available in a large variety of designs, colors and materials. It can be fitted exactly to the dimensions of the windows or doors and is suitable for both businesses and residences. The basic operating mode employs a cord mechanism, for opening and closing, and a chain for adjusting the angle. They also have a mechanism for releasing the slats to clean the window.



Vertical Louvre Blind systems

Model V-ABS-M

Manually operated vertical blinds ABS-M 89, 127, 250mm



Description of parts

1. Headrail		Head rail ABS 45x27mm
2. Cord drive runner		Plastic runner with plastic hook H shaped or J shaped metal hook
3. Spacer		Metal spacers for louvre runner.
4. Control unit mechanism		Swivel mechanism for moving louvres through 180 degrees.
5. Chain ball & Cord		2mm Nylon cord and plastic or metal bead type chain ball.
6. Cord counter weight		Various cord and chain counter weights.
7. Louvre bottom weight		Plastic louvre bottom weight.
8. Brackets		Adjustable L shaped brackets. The distance is adjusted according to the width of the louvre.
9. Louvres		Louvres blades in widths of 89, 127, and 250mm. In various qualities and colors.

Technical Description

- The vertical V-ABS blinds are available in widths of 89, 127 and 250mm.
- The headrail is white or anodized, 27x45mm.
- The cord drive runners are of specially designed plastic, with plastic or metal hooks, depending on the type of louvre.
The spacer, a small bar of various lengths depending on the louvre, is attached to each runner, permitting free rolling and smooth operation with minimum friction.
- The control unit mechanism is designed to allow rotation of the louvres through 180 degrees.
- The cord for operating the louvres is 2mm nylon, and there is a range of counterweights.
- The louvres are rotated by a plastic or metal chain ball with or without clip. Each louvre, with the exception of PVC louvres, also has a bottom counterweight, with plastic cover.
- The bottom weights are linked to each other with a plastic or metal chain attached to each weight with special clips.
- The vertical louvres can be PVC, fabric, woven wood, string and wood, and are available in a wide range of colors and designs.
- The brackets are metal, with adjustable extensions for mounting on walls or ceilings.

V-ABS-M System Dimensions

Manufacturable Dimensions			
Features	Maximum width	Maximum height	Maximum surface area
FAB 89, 127, 250mm	4m	4m	12.3m ²
STRING 89,250mm	4m	3m	12m ²
WSL, LAMINATE GLOSSY 89mm	3m	2.7m	7,3m ²
WMS, 89mm	3m	3m	7,3m ²
PVC	3m	3m	7,3m ²



Vertical blinds

Model V-DECO

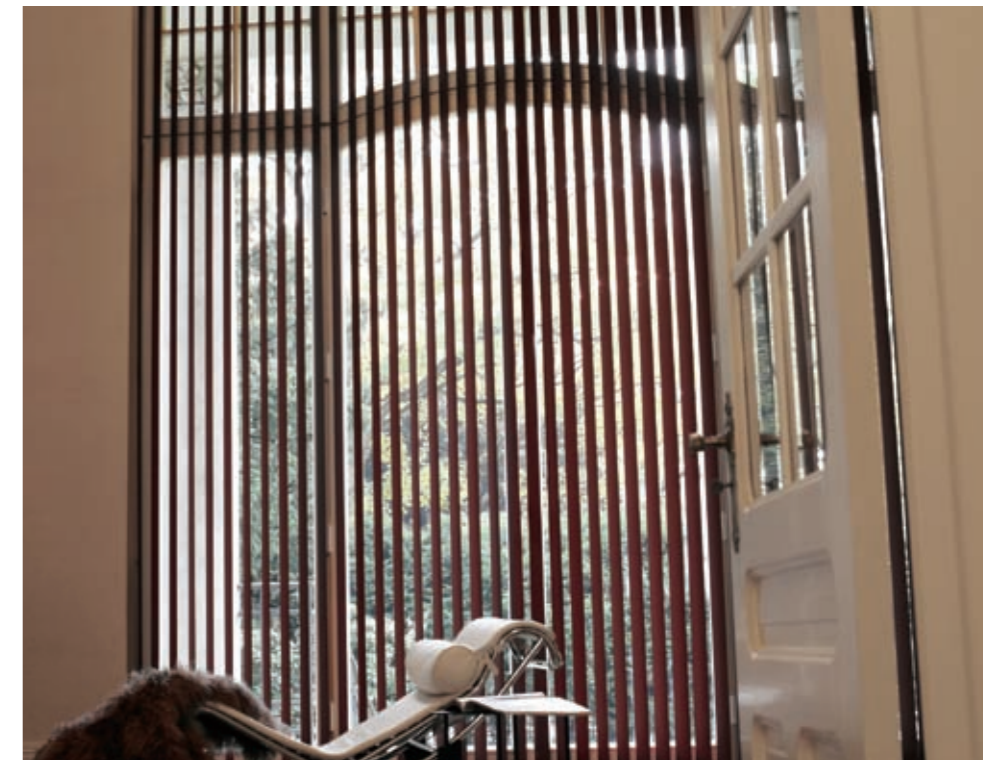
Manually operated vertical blinds V-DECO 89, 127, 250mm

Vertical blinds systems with coloured chain and cord mechanism

The Optima V-Deco vertical blind system is elegant and timeless.

It offers elegant lines, ideal visibility and excellent protection from the sun. A decorative solution for all types of space.

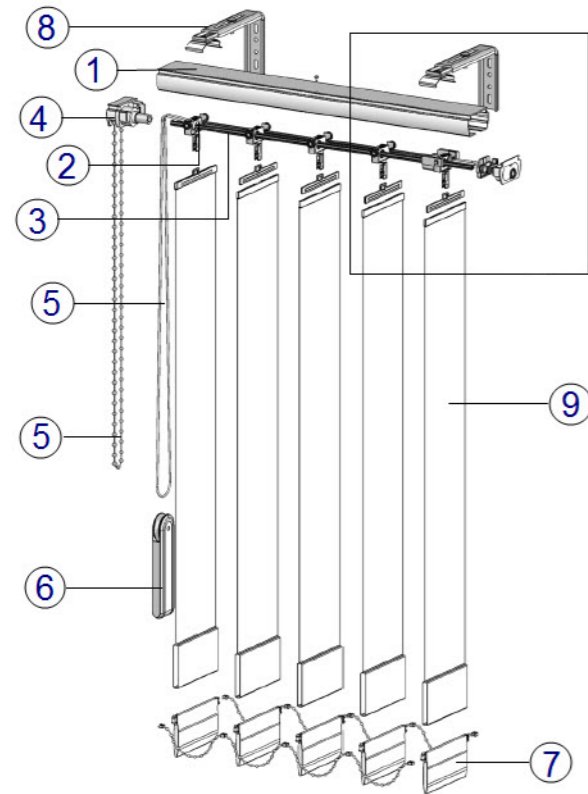
All plastic parts of the system are available in 7 colors to match the color of the louvres. It can be fitted exactly to the dimensions of the windows or doors and is suitable for both businesses and residences. The basic operation is by cord mechanism, for opening and closing, and a chain for adjusting the angle.



Vertical Louvres

Model V-DECO

Manually operated vertical blinds V-DECO 89, 127, 250mm



Technical Description

- The vertical V-DECO blinds are available in widths of 89, 127 and 250mm.
- The headrail is painted aluminium, 45x27mm, available in 7 colors.
- The cord drive runners are of specially designed plastic, with plastic or metal hooks, depending on the type of louvre.
- The spacer, a small bar of various lengths depending on the louvre, is attached to each runner, permitting free rolling and smooth operation with minimum friction.
- The control unit mechanism is designed to allow the rotation of the louvres through 180 degrees and is available in the same colors as the headrail.
- The 2mm nylon cord which moves the louvres is available in the same colors as the head rail.
- The louvres are rotated by a plastic or metal chain ball with or without clip.
- The plastic chain is available in the same colors as the head rail. Each louvre, with the exception of PVC louvres, also has a bottom counterweight, with plastic cover.
- The bottom weights are linked to each other with a plastic or metal chain attached to each weight with special clips.
- The vertical louvres can be PVC, fabric, woven wood, string and wood, and are available in a wide range of colors and designs.
- The brackets are metal, with adjustable extensions for mounting on walls or ceilings.

Description of parts

1. Headrail		Headrail ABS 45x27mm.
2. Cord drive runner		Plastic runner with plastic H-shaped hook or metal J shaped hook. Available in 7 colors.
3. Spacer		Metal spacers for louvre runner.
4. Control unit		Swivel mechanism for moving louvres through 180 degrees. Available in 7 colors.
5. Chain - Cord		2mm Nylon cord and plastic or metal chain ball. Available in 7 colors.
6. Cord counter weight		Various cord and chain counter weights.
7. Louvre bottom weight		Plastic louvre bottom weight.
8. Brackets		Adjustable L shaped brackets. The distance is adjustable according to the width of the louvre.
9. Louvres		Louvre blades 89, 127, 250mm wide. In various qualities and colors.

V-DECO System Dimensions

Manufacturable Dimensions			
Features	Maximum width	Maximum height	Maximum surface area
FAB 89, 127, 250mm	4m	4m	12.3m ²
STRING 89, 250mm	4m	3m	12m ²
WMS, 89mm	3m	2.7m	7,3m ²
PVC	3m	3m	7,3m ²



All plastic system parts as well as chain and cord are available in the same 7 colors as the mechanism.

Vertical Louvres

Model V-ABS-E

Motorized vertical louvres ABS-E 89, 127, 250mm

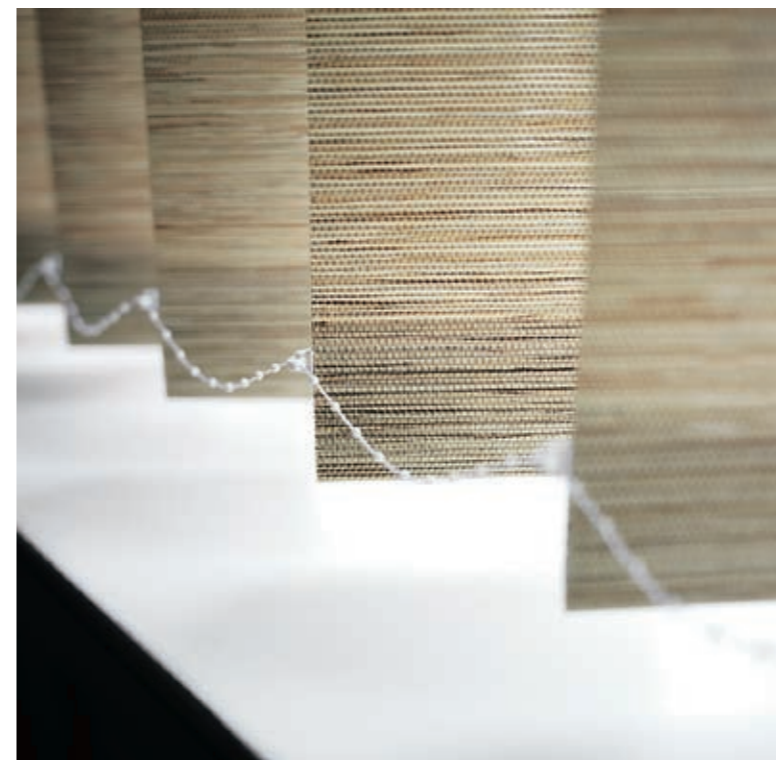
Motorized vertical louvre shading systems

The motorized Optima V-ABS-E vertical blinds system is elegant and timeless.

Its appearance is similar to the V-ABS-M. It differs as far as its motorized operation is concerned. Power supply is provided by cable connection or batteries in case with full remote control.

Synchronization of the system and determination of limits is automatic at startup.

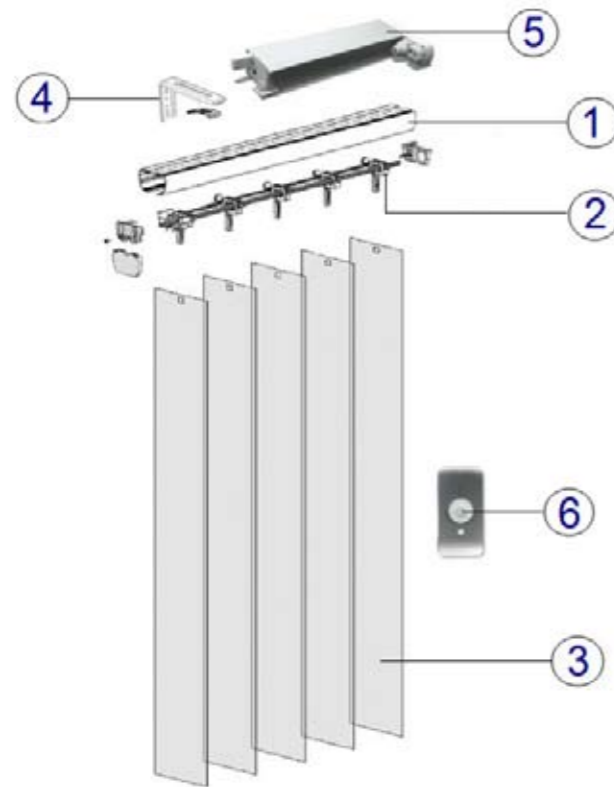
Rotation of louvres always precedes retraction in order to avoid any potential malfunctions









Vertical Louvres

Model V-ABS-E

Motorized vertical louvres ABS-E 89, 127, 250mm



Description of parts

1. Headrail		Headrail ABS 45x27mm.
2. Mechanism		Same as the manually operated system without chain and operating cord.
3. Louvres		Louvre blades 89, 127, 250mm wide. In various qualities and colors.
4. Brackets		Adjustable L shaped brackets. The distance is adjusted according to the width of the louvre.
5. Motor		12V DC-3A motor 88x66x234mm.
6. Control		Wireless battery remote control

Technical Description

- Vertical V-ABS blinds are available in widths of 89, 127 and 250mm.
- The headrail is white or anodized, 27x45mm.
- The cord drive runners are of specially designed plastic, with plastic or metal hooks, depending on the type of louvre.
- The spacer, a small bar of various lengths depending on the louvre, is attached to each runner, permitting free rolling and smooth operation with minimum friction.
- A 88x66x234mm 12V DC-3A motor is used to move the louvres along the track and rotate them through 180 degrees.
- Power supply is provided by cable connection or batteries in case with remote control.
- Synchronization of the system and determination of limits is automatic at startup. The rotation of the blinds always precedes the raising in order to avoid any malfunction
- Each louvre, with the exception of PVC louvres, also has a bottom counterweight, with plastic cover.
- The bottom weights are linked to each other with a plastic or metal chain attached to each weight with special clips.
- The vertical louvres can be PVC, fabric, wood weave, string and wood, and are available in a wide range of colors and designs.
- The brackets are metal, with adjustable extensions for mounting on walls or ceilings.

V-ABS-E System Dimensions

Manufacturable Dimensions			
Features	Maximum width	Maximum height	Maximum surface area
FAB 89, 127, 250mm	4m	4m	16m ²
STRING 89,250mm	4m	3m	12m ²
WMS, 89mm	4m	3m	12m ²
PVC	4m	3m	12m ²
WSL, 89mm	4m	2,7m	10,8m ²