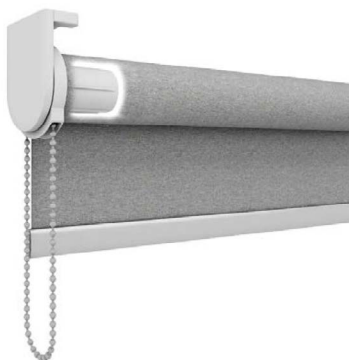




ASSIMAKOPOULOS

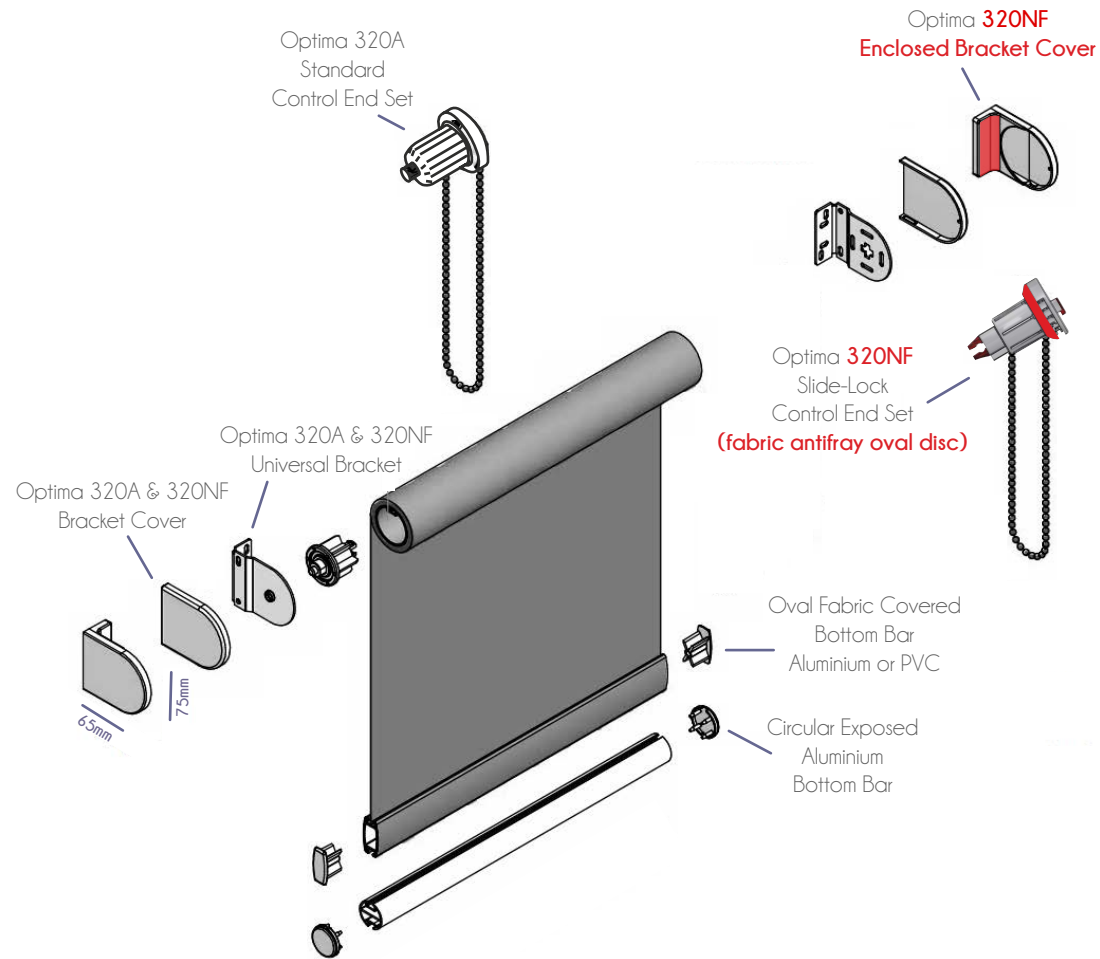
Roller Blind System

Optima 320A - 320NF



OPTIMA
performance shades

System Types Optima 320A - 320NF



OPTIMA
performance shades

Technical Specifications Optima 320A - 320NF

Advantages

320NF

- Designed and manufactured in the UK, the system is 10 year life cycle tested to ensure long lasting performance.
- Optima 320NF combines heavier holding weights with anti-fray features that ensure enhanced blind performance.
- For blinds up to 2m wide, Optima 320NF Red Pin has a 3,65 kg maximum holding weight.
- Manufactured using high quality engineering grade polymer.
- Improved plastic or metal operating chain location for quick and easy on-site adjustment and reliable smooth operation.
- Universal brackets and a spring idle end plunger enable easy and quick installation.

320A

- Designed and manufactured in Greece.
- 3,65 kg maximum holding weight.
- Universal brackets and a spring idle end plunger enable easy and quick installation.

Components Material

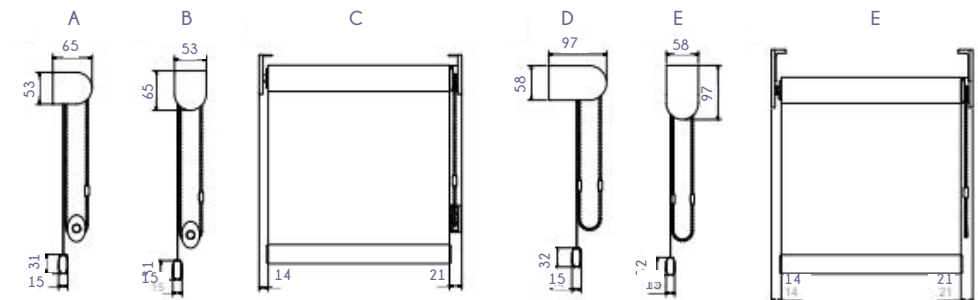
320NF

- The side control units, manufactured in the UK, are made from glass filled Nylon 6, with an acetal sprocket and sprocket guard.
- The mild steel brackets are zinc plated and powder coated, suitable for top, face or side fixing.

320A

- The side control units are manufactured in Greece and made from Promyde B30 P, DelDe7057 NC 010 and MR 80 U (High Density Polyethylene) special plastics.
- The brackets are made from DKP steel sheet and are powder coated.

Small light gaps

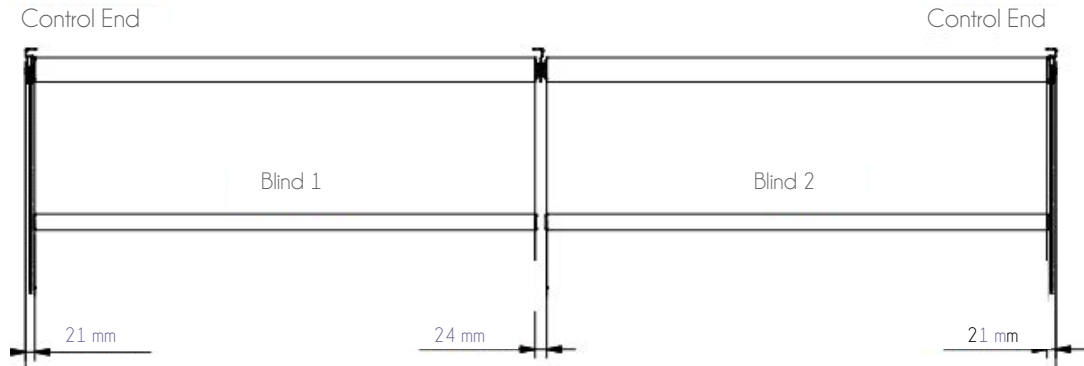


OPTIMA
performance shades

Planning Information Optima 320A-320NF

Intermediate options

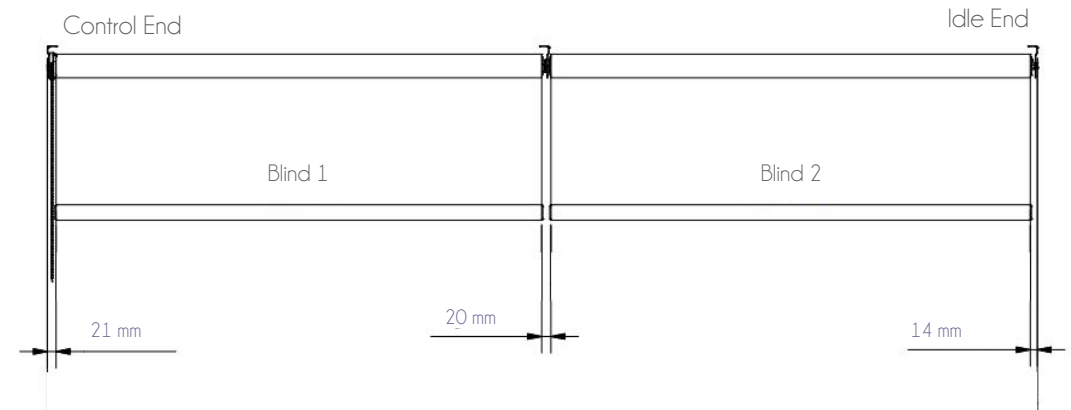
(independent or simultaneous function of the connected rollers)



Independent function (Freelink)



Planning Information Optima 320A-320NF

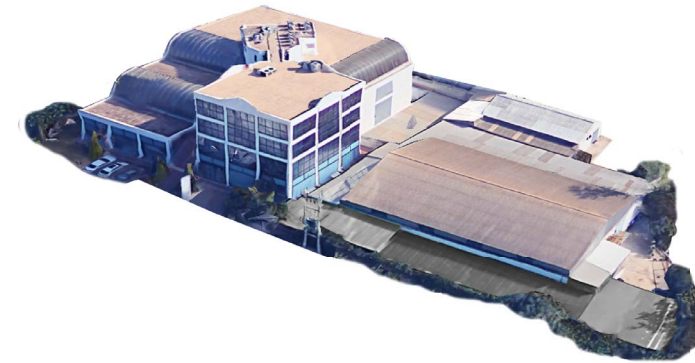


Simultaneous function (Drivelink)



Planning Information Optima 320A-320NF

Maximum Dimensions (Quick reference only, depending on type of fabric)			
Maximum Width (m)	Maximum Height (m)	Maximum Surface (m ²)	Fabric
2,45	3,5	6,86	Plain
2,10	3,5	5,88	Blackout
2,05	3,5	5,74	Screen



Company Profile

Optima blinds are supplied exclusively by N. Assimakopoulos SA being the largest manufacturing company in natural light control system applications while exceeding 50 years of specialization and involving staff/partners of 40 people. In privately owned facilities of 5,000 sq.m. in Elliniko the company sells its products with vertical organization that optimizes cost, quality and delivery time through:

- Import or domestic production of A & B materials.
- Processing and assembly using hydraulic/pneumatic forming machines for cutting/drilling aluminum sheets or profiles, laser/ultrasonic plotters and machine tools of own machine shop down to finished, aesthetically and functionally tested final systems.
- Study and project management by specialized engineers/designers and implementers of proven know-how who offer long lasting reliable solutions to special requirements.
- Installation by specialized crews trained and supervised by engineers with over 25 years of experience in the organization of construction sites and technical applications.
- After-sales support (maintenance, repair, spare parts).
- ISO 9001/14001 certified customer-order/environmental management procedures respectively.

Head Office - Factory:
2 Rizountos Str. & Thrakis Str. 16777,
Elliniko, Athens GR
(+30) 210 9600 960
(fax) 210 9607 429
info@assimakopoulos.gr

Optima Elements Voula:
58 Vouliagmenis Ave.,
16673, Greece
210 9680539,
210 9680739
voula@optimaelements.gr

Optima Elements Marousi:
Marousi - 139 Kifisias Ave.
& Marathonodromou,
15124, Greece
210 8054190, 210 8054580
marousi@optimaelements.gr